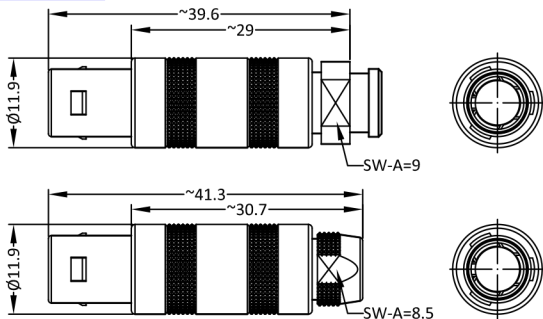


2D REFERENCE SIZE (UNIT)



- Housing Material: Brass pearled chrome
- Insulator Material: PPS
- Contact Material: Copper alloy-Gold plating
- Mating cycle: 5000 times(IEC 60512 test 9a)
- IP Rating: IP50, (IEC 60529)
- Humidity (max): <=95%[at 60°C]
- Temp (min/max): -55°C~+125°C(GB/T2423.3)
- Vibration: 10-20000Hz, 15g(IEC 60512-4 test 6d)
- Shock Resistance: 100g, 6ms(IEC 60512-4 test 6c)
- Salt Spray Corrosion: >96h(IEC 60512-6 test 11f)



Images is for illustrative purpose only

PART NUMBERING SYSTEM:

STRAIGHT PLUG

MODEL

SERIES

CONTACTS:3=MULTICORE;
08=8PINS (2-16PINS
OPTIONAL)

HOUSING:
C=BRASS PEARLED CHROME;
K=BRASS PLATED BLACK CHROME;
T=ALUMINIUM ALLOY PLATED NICKEL

INSULATOR:
P=PPS;K=PEEK;

PFA-1S306-CPAC-***



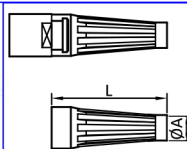
VARIABLE PARAMETER:
M=OVERMOLDING;
EMPTY=COLLET NUT
WITHOUT BEND RELIEF

COLOR FOR BEND RELIEF:
G=GREY;B=BLUE;W=WHITE;
L=BLACK;R=RED;Y=YELLOW;
M=BROWN;O=ORANGE;V=GREEN

CABLE:
32=(CABLEØ2.6mm-3.1mm);
42=(CABLEØ3.2mm-4.1mm);
52=(CABLEØ4.2mm-5.1mm);

C: CABLE COLLET

CONTACTS TYPE:
A=MALE SOLDER;L=FEMALE SOLDER;
D=PCB-MALE ;N=PCB-FEMALE;V=PCB-
FEMALE ELBOW



SIZE(mm)		CABLEΦ		
BEND RELIEF	A	L	Max	Min
3.0	30	3.1	2.6	
4.0	30	4.1	3.2	
5.0	30	5.1	4.2	



STANDARD
COLLET NUT

COLLET NUT FOR
FITTING BEND RELIEF

*=CUSTOMERS CAN CHOOSE THE MODEL ACCORDING TO THEIR OWN NEEDS

NOTE: THE BLACK IS NEEDLE, THE BLANK IS NEEDLE HOLE

P/N	CORE	TYPE	PIN DIA (mm)	WORK VOLTAGE (KV rms)	RATED CURRENT (A)	CONTACT RESISTANCE (mΩ)	CABLE(AWG)	
							min.	max.
PFA.1S302.CPAC.***	2		1.3	1.2	15	5	26	18
PFA.1S303.CPAC.***	3		0.9	1.2	10	5	26	18
PFA.1S304.CPAC.***	4		0.9	1.2	10	6	32	20
PFA.1S305.CPAC.***	5		2*0.9 3*0.7	1.5	10/7	6	32	20
PFA.1S306.CPAC.***	6		0.7	1.2	7	7.5	32	22

*=CUSTOMERS CAN CHOOSE THE MODEL ACCORDING TO THEIR OWN NEEDS