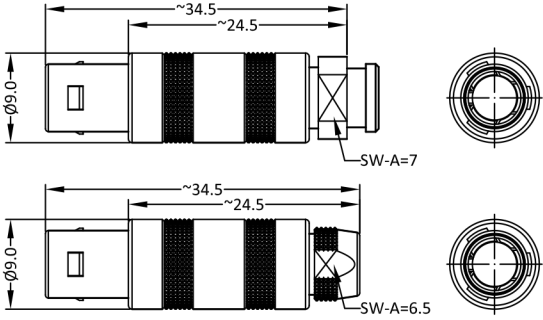


2D REFERENCE SIZE (UNIT:mm)



- Housing Material: Brass pearled chrome
- Insulator Material: PPS
- Contact Material: Copper alloy-Gold plating
- Mating cycle: 5000 times(IEC 60512 test 9a)
- IP Rating: IP50, (IEC 60529)
- Humidity (max): <=95%[at 60℃]
- Temp (min/max): -55℃~+125℃(GB/T2423.3)
- Vibration: 10-2000Hz, 15g(IEC 60512-4 test 6d)
- Shock Resistance: 100g, 6ms(IEC 60512-4 test 6c)
- Salt Spray Corrosion: >96h(IEC 60512-6 test 11f)



Images is for illustrative purpose only

PART NUMBERING SYSTEM:

STRAIGHT PLUG

MODEL

SERIES

CONTACTS:3=MULTICORE;  
02=2PINS (2=4PINS  
OPTIONAL)

HOUSING:  
C=BRASS PEARLED CHROME;  
K=BRASS PLATED BLACK CHROME;  
T=ALUMINIUM ALLOY PLATED NICKEL

INSULATOR:  
P=PPS;K=PEEK;

PFA-OS302-CPAC-\*\*\*



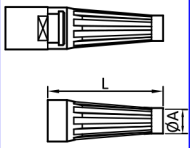
VARIABLE PARAMETER:  
M=OVERMOLDING;  
EMPTY=COLLET NUT  
WITHOUT BEND RELIEF

COLOR FOR BEND RELIEF:  
G=GREY;B=BLUE;W=WHITE;  
L=BLACK;R=RED;Y=YELLOW;  
M=BROWN;O=ORANGE;V=GREEN

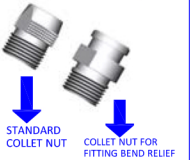
CABLE:  
32=(CABLEØ2.6mm-3.1mm);  
42=(CABLEØ3.2mm-4.1mm);  
52=(CABLEØ4.2mm-5.1mm);

C: CABLE COLLET

CONTACTS TYPE:  
A=MALE SOLDER ;L=FEMALE SOLDER;  
D=PCB-MALE ;N=PCB-FEMALE;V=PCB-  
FEMALE ELBOW



SIZE(mm)			
BEND RELIEF		CABLEφ	
A	L	Max	Min
3.0	24	3.1	2.6
4.0	24	4.1	3.2
5.0	24	5.1	4.2



\*=CUSTOMERS CAN CHOOSE THE MODEL ACCORDING TO THEIR OWN NEEDS

NOTE: THE BLACK IS NEEDLE, THE BLANK IS NEEDLE HOLE

P/N	CORE	TYPE	PIN DIA (mm)	WORK VOLTAGE (KV rms)	RATED CURRENT (A)	CONTACT RESISTANCE (mΩ)	CABLE(AWG)	
							min.	max.
PFA.OS302.CPAC.***	2		0.9	1.1	10	6	32	20
PFA.OS303.CPAC.***	3		0.7	1.0	7	6	32	22
PFA.OS304.CPAC.***	4		0.7	1.0	7	7.5	32	22