
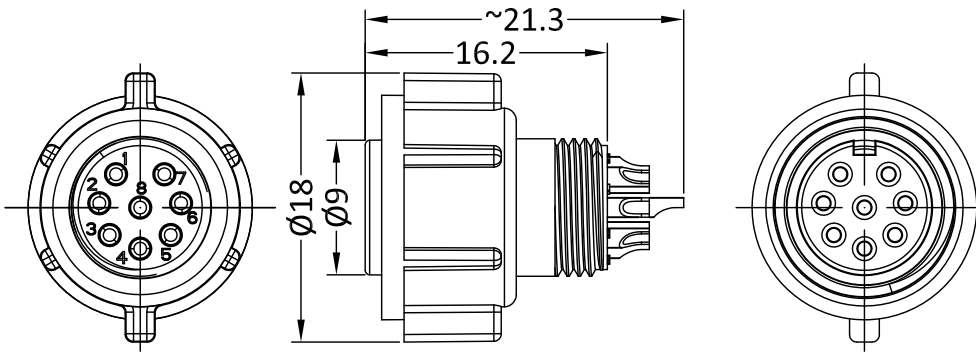
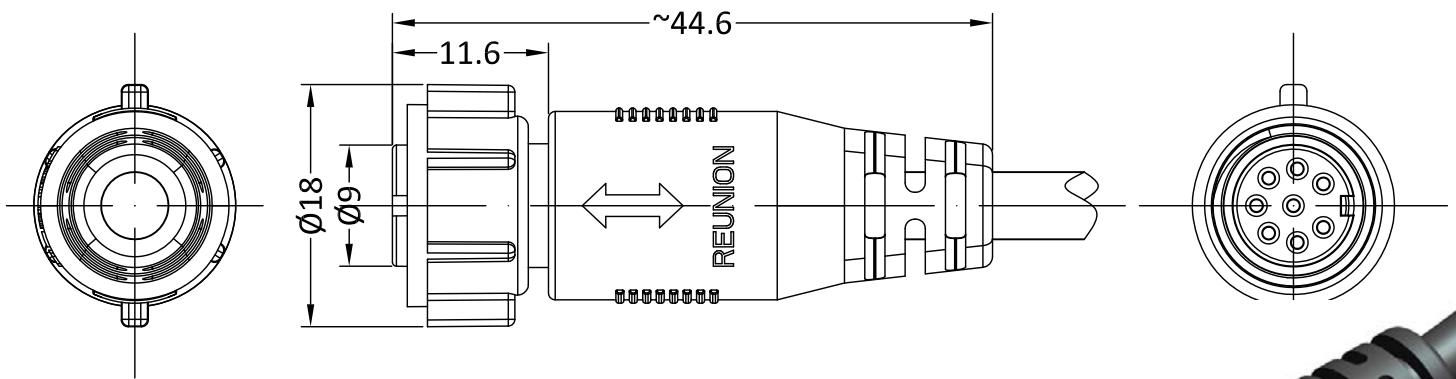


2D REFERENCE SIZE(UNIT:mm) 



IMAGES FOR CONNECTOR ONLY



IMAGES FOR CONNECTOR OVERMOLDING

PLUG

MODEL

KEY:G=SINGLE KEY; N=WITHOUT

SERIES:M SERIES; SHELL MO.1

CONTACT:3=MULTICORE;08=8PINS

HOUSING:N=NYLON

CONTACT TYPE: A: MALE SOLDER; L:FEMALE SOLDER; D:PCB-MALE; N:PCB-FEMALE; V:PCB-FEMALE ELBOW

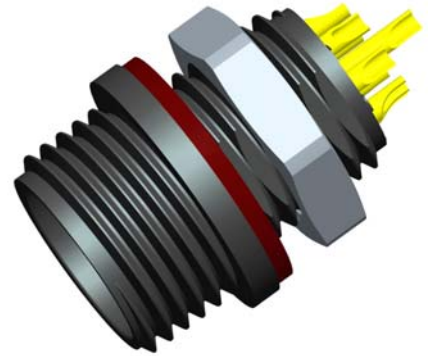
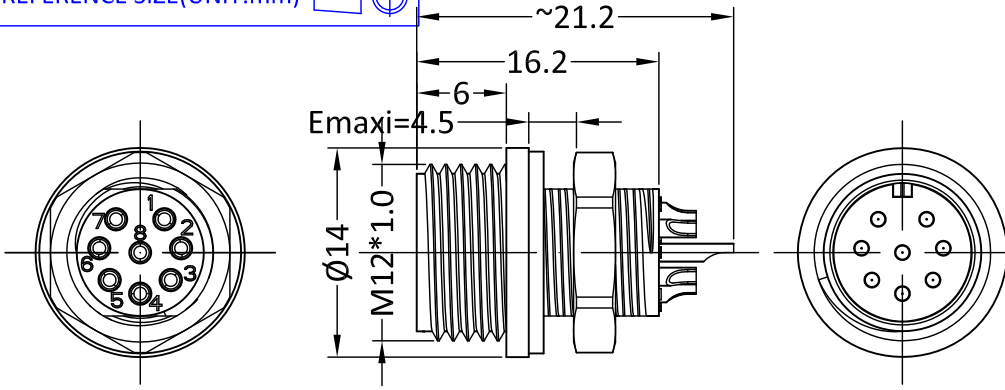
CABLE DIA:
85=CABLE DIA MAX 8.5MM

M=OVERMOLDING(PROCESSING,BY REUNION:M)OTHERWISE:EMPTY

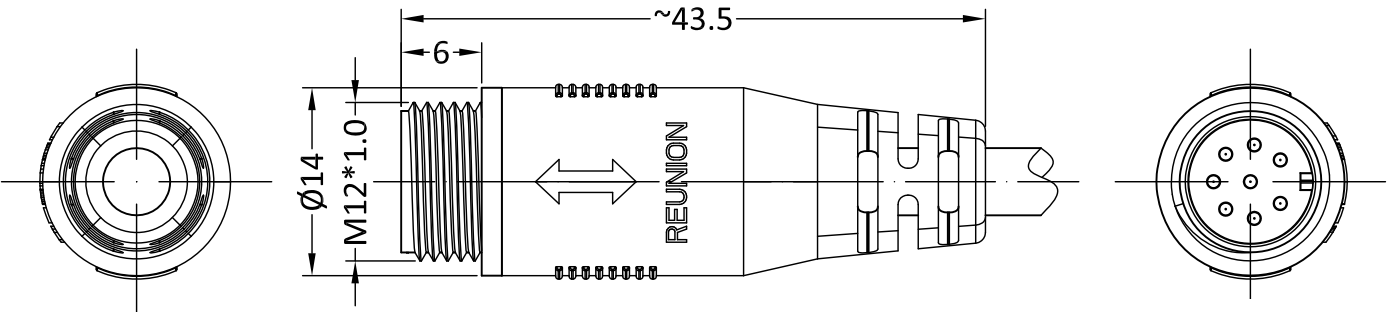
PAG · 1M3 08 · NL 85 M

Housing material: PA6+25%GF;
Contact material: Copper alloy, gold-plated;
Contact type: solder;
Contact dia: 0.9mm;
Rated current: 9A;
Rated voltage: 240V;
Insulation resistance: 500(MΩ);
IP rating:IP67;
Working temp: -45°C~+125°C;
Salt spray corrosion: >24H;
Fire rating: UL 94V0;
Mating cycle: 500 times;

2D REFERENCE SIZE(UNIT:mm)



IMAGES FOR CONNECTOR ONLY



IMAGES FOR CONNECTOR OVERMOLDING

SOCKET

SHG · 1M308 · NA85M

MODEL

KEY:G=SINGLE KEY; N=WITHOUT

SERIES:M SERIES; SHELL MO.1

CONTACT:3=MULTICORE;08=8PINS

HOUSING:N=NYLON

CONTACT TYPE: A: MALE SOLDER; L:FEMALE SOLDER; D:PCB-MALE; N:PCB-FEMALE; V:PCB-FEMALE ELBOW

CABLE DIA: 85=CABLE DIA MAX 8.5MM

M=OVERMOLDING(PROCESSING BY REUNION:M)OTHERWISE:EMPTY

- Housing material: PA6+25%GF;
- Contact material: Copper alloy, gold-plated;
- Contact type: solder;
- Contact dia: 0.9mm;
- Rated current: 9A;
- Rated voltage: 240V;
- Insulation resistance: 500(MΩ);
- IP rating:IP67;
- Working temp: -45°C~+125°C;
- Salt spray corrosion: >24H;
- Fire rating: UL 94V0;
- Mating cycle: 500 times;