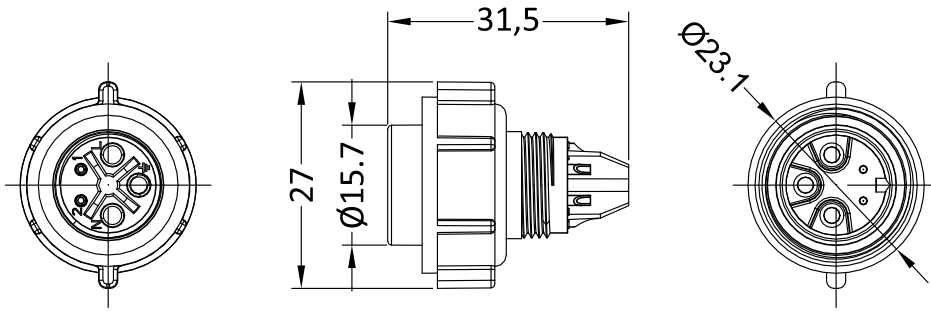
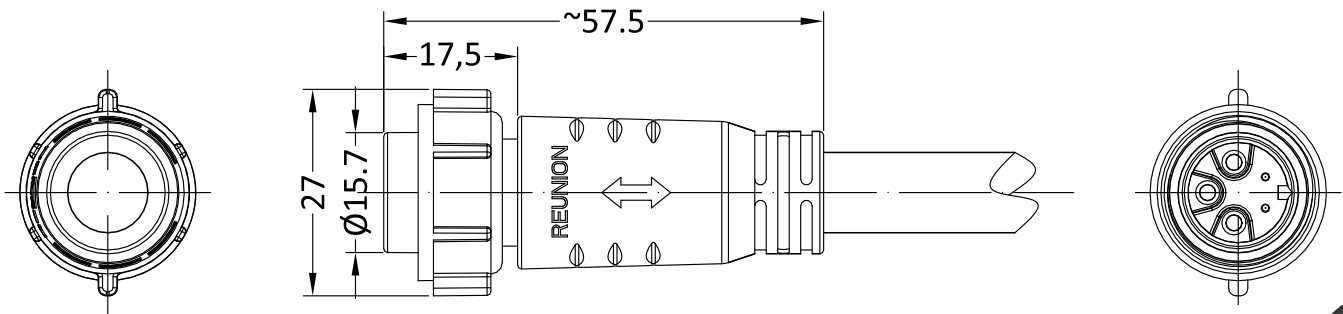


2D REFERENCE SIZE(UNIT:mm) 



IMAGES FOR CONNECTOR ONLY



IMAGES FOR CONNECTOR OVERMOLDING

PLUG

PAG · 2M405 · NL10M

MODEL

KEY:G=SINGLE KEY; N=WITHOUT

SERIES: M SERIES; SHELL NO.2

CONTACTS:4=PIN AND PINHOLE MIXED; 05=5PINS

HOUSING:N=NYLON

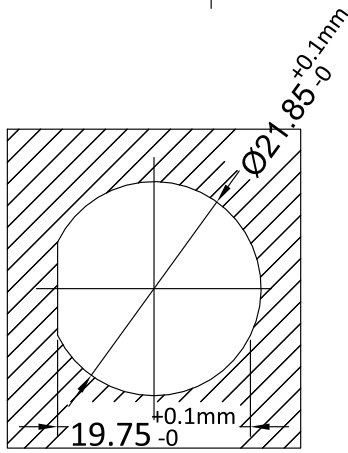
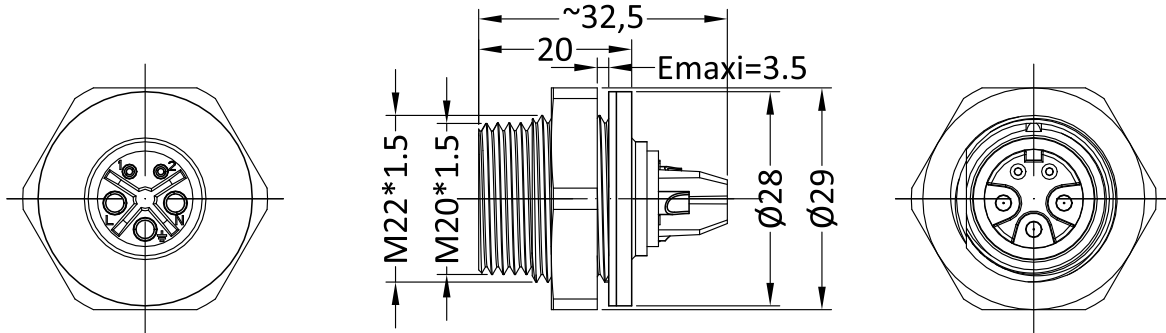
CONTACT TYPE: A: MALE SOLDER; L: FEMALE SOLDER (based on Power pin)

CABLE DIA: 10=CABLE DIA MAX 10.0MM

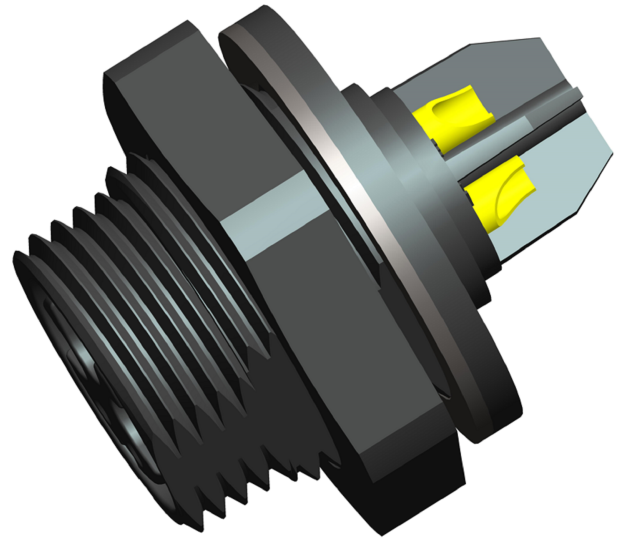
M=OVERMOLDING(PROCESSING,BY REUNION); OTHERWISE: EMPTY

Housing material: PA6+25%GF;
 Contact material: Copper alloy, gold-plated
 Contact type: Solder;
 Contact dia: Power:2.0mm; Signal:0.9mm;
 Rated current: Power:22A; Signal:9A;
 Rated voltage: Power:800V;Signal:300V;
 Insulation resistance: Power:1000MΩ;
 Signal:500MΩ;
 IP rating:IP67 waterproof;
 Working temp: -45°C~+125°C;
 Salt spray corrosion: >24H;
 Fire rating: UL 94V0;
 Mating cycle: 500 times;

2D REFERENCE SIZE(UNIT:mm)



PANEL HOLE SIZE



IMAGES FOR CONNECTOR ONLY

**FIXED
SOCKET
MODEL**

SEG · 2M405 · NA

KEY:G=SINGLE KEY; N=WITHOUT

SERIES: M SERIES; SHELL NO.2

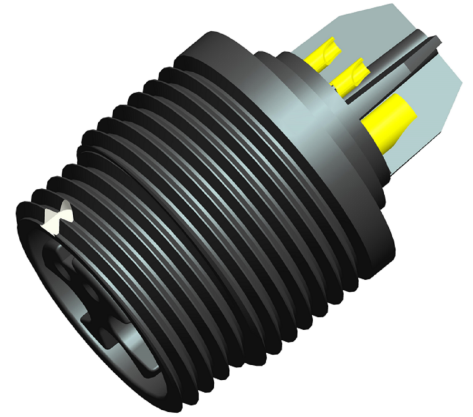
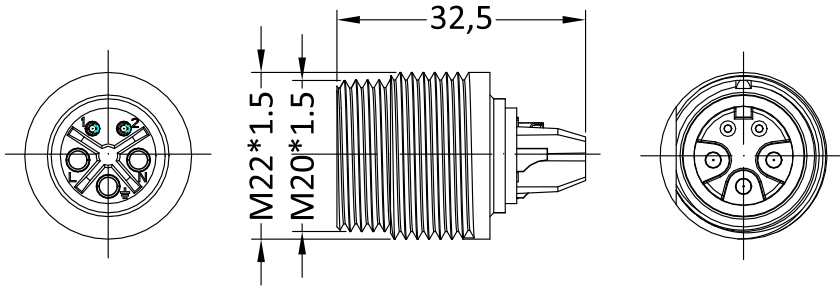
CONTACTS:4=PIN AND PINHOLE
MIXED; 05=5PINS

HOUSING:N=NYLON

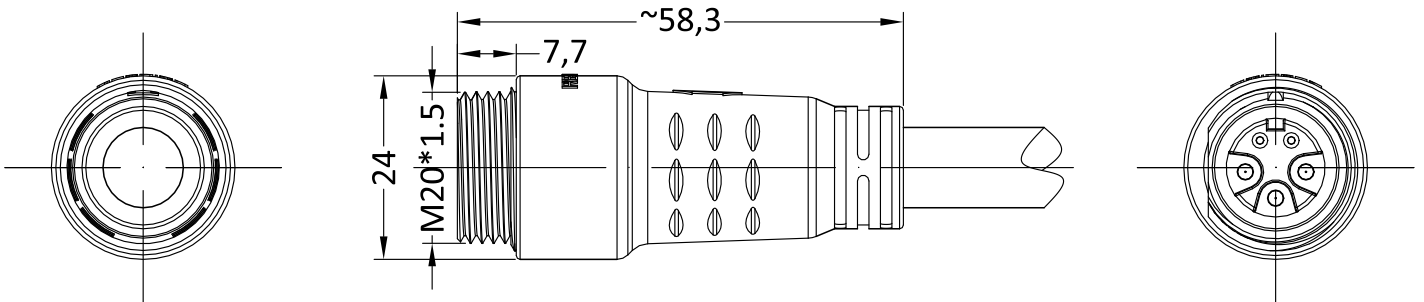
CONTACT TYPE: A: MALE
SOLDER; L: FEMALE
SOLDER; D: PCB-MALE;
N:PCB-FEMALE;
V:PCB-FEMALE ELBOW

Housing material: PA6+25%GF;
Contact material: Copper alloy, gold-plated
Contact type: Solder;
Contact dia: Power:2.0mm; Signal:0.9mm;
Rated current: Power:22A; Signal:9A;
Rated voltage: Power:800V;Signal:300V;
Insulation resistance: Power:1000MΩ;
Signal:500MΩ;
IP rating:IP67 waterproof;
Working temp: -45°C~+125°C;
Salt spray corrosion: >24H;
Fire rating: UL 94V0;
Mating cycle: 500 times;

2D REFERENCE SIZE(UNIT:mm) 



IMAGES FOR CONNECTOR ONLY



IMAGES FOR CONNECTOR OVERMOLDING

FREE SOCKET MODEL

KEY:G=SINGLE KEY; N=WITHOUT

SERIES: M SERIES; SHELL NO.2

CONTACTS:4=PIN AND PINHOLE MIXED; 05=5PINS

HOUSING:N=NYLON

CONTACT TYPE: A: MALE SOLDER; L: FEMALE SOLDER (based on Power pin)

CABLE DIA: 10=CABLE DIA MAX 10.0MM

M=OVERMOLDING(PROCESSING,BY REUNION); OTHERWISE: EMPTY

SHG · 2M4 05 · NA10 M

Housing material: PA6+25%GF;
 Contact material: Copper alloy, gold-plated
 Contact type: Solder;
 Contact dia: Power:2.0mm; Signal:0.9mm;
 Rated current: Power:22A; Signal:9A;
 Rated voltage: Power:800V;Signal:300V;
 Insulation resistance: Power:1000MΩ;
 Signal:500MΩ;
 IP rating:IP67 waterproof;
 Working temp: -45°C~+125°C;
 Salt spray corrosion: > 24H;
 Fire rating: UL 94V0;
 Mating cycle: 500 times;