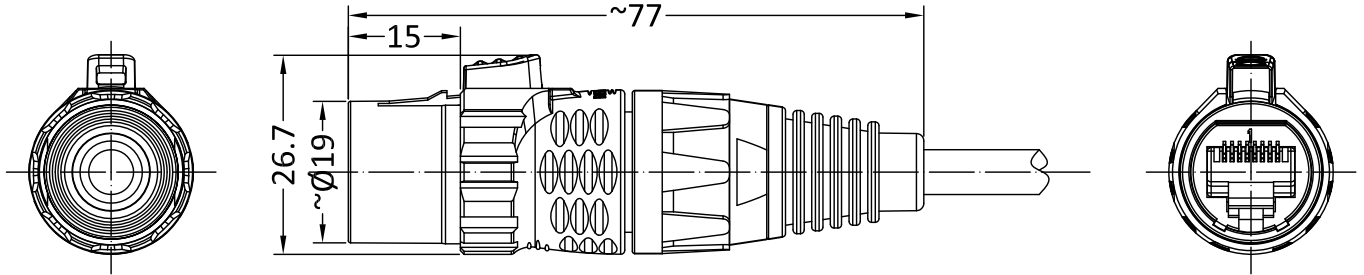
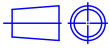


2D REFERENCE SIZE (UNIT: mm)



Images is for illustrative purpose only

- HOUSING MATERIALS: PA6.
- BEND RELIEF MATERIAL: SILICONE.
- RATED CURRENT: 1.5A
- WORKING VOLTAGE: 50Vac
- CONTACT RESISTANCE: <10mΩ
- SALT SPRAY CORROSION: >72
- WORKING TEMPERATURE: -40°C~+85°C.
- MATING CYCLE: 2000 TIMES.
- IP LEVEL: IP50/IP67

MODEL

SERIES: N SERIES, NO.3 SHELL

CONTACT:RJ45

HOUSING:
A=BLACK ABS/PC
W=WHITE ABS/PC
G=GREY ABS/PC

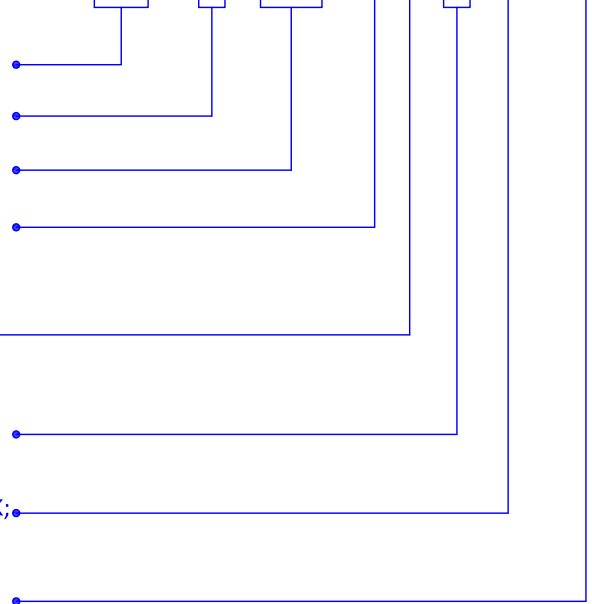
CONTACT TYPE:
P= REGISTERED JACK;
T=FLAT PIN TERMINAL;
R=ROUND PIN TERMINAL

SEALING RING:
55=4.5~5.5mm CABLE;
80=5.6~8.0mm CABLE;

BEND RELIEF:Y=YELLOW; L=BLACK;
B=BLUE; W=WHITE; R=RED;

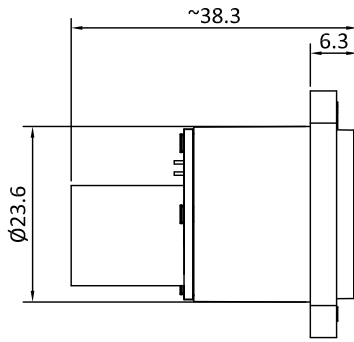
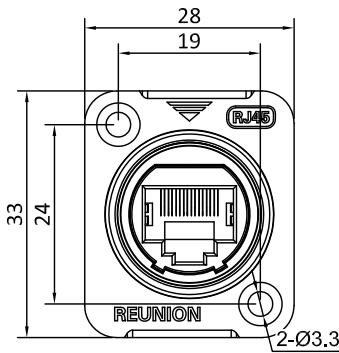
IP LEVEL:50=IP50;67=IP67;

PFB · 3NRJ45 · AP** * · 67



*=CUSTOMERS CAN CHOOSE THE MODEL ACCORDING TO THEIR OWN NEEDS

2D REFERENCE SIZE (UNIT: mm)



- HOUSING MATERIALS: PA6.
- BEND RELIEF MATERIAL: SILICONE.
- RATED CURRENT: 1.5A
- WORKING VOLTAGE: 50Vac
- CONTACT RESISTANCE: <10mΩ
- SALT SPRAY CORROSION: >72
- WORKING TEMPERATURE: -40°C~+85°C.
- MATING CYCLE: 2000 TIMES.
- IP LEVEL: IP50/IP67



DUPONT TERMINAL AND LOCK- 8Pin PINS



90° REGISTERED JACK



SIMPLE HORN



180° REGISTERED JACK



STANDARD PCB-PANEL SOLDER



SAN PCB-PANEL SOLDER



DUST COVER FOR ALL SOCKET

Images is for illustrative purpose only

*=CUSTOMERS CAN CHOOSE THE MODEL ACCORDING TO THEIR OWN NEEDS

SFB · 3N RJ45 · A R * · B * · 67

MODEL

SERIES: N SERIES, NO.3 SHELL

CONTACT:RJ45

HOUSING:

A=BLACK ABS/PC;W=WHITE
ABS/PC;G=GREY ABS/PC

CONTACT TYPE:

P= REGISTERED JACK;
T=FLAT PIN TERMINAL;
R=ROUND PIN TERMINAL

INSULATION

MATERIAL:Z=PBT;P=PA6;

TERMINAL TYPW:

A=DUPONT TERMINAL AND LOCK- 8Pin PINS;
B=90° REGISTERED JACK;D=SIMPLE HORN;
M=180° REGISTERED JACK;
N=STANDARD PCB-PANEL SOLDER;
S=SAN PCB-PANEL SOLDER

SHIELD PLATE

N=WITHOUT SHIELD PLATE ;
EMPTY=WITH SHIELD

IP LEVEL:50=IP50;67=IP67;

