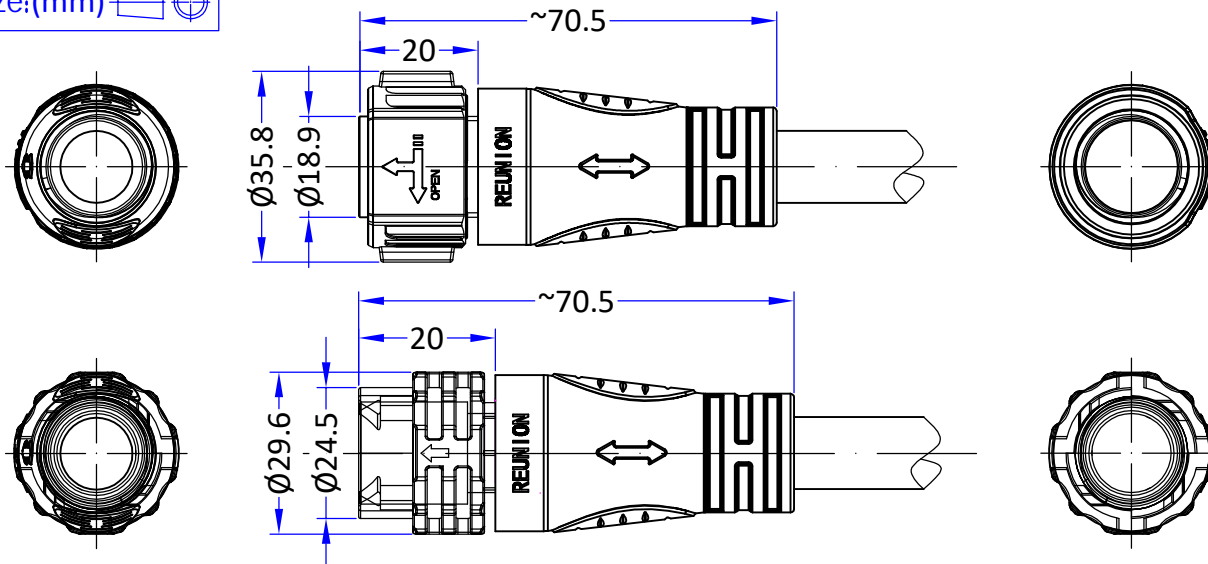


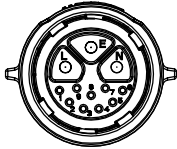

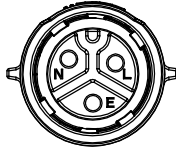



M25 series

2D reference size:(mm) 



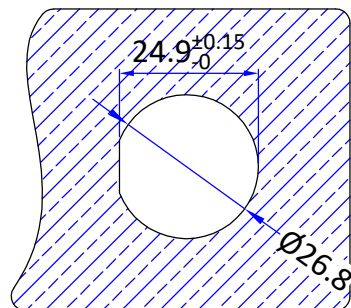
IMAGES

CORES/OD(mm)		2/3.0(PIN)	3/3.0(PIN)	3/2.4(PIN)9/1.0(HOLE)	2/3.0(HOLE)	3/3.0(HOLE)	3/2.4(HOLE)9/1.0(PIN)
CORES							
VOLTAGE (KV rms)	PINS -PINS	2.0	1.5	0.5(POWER)/0.2(SIGNAL)	2.0	1.5	0.5(POWER)/0.2(SIGNAL)
CURRENT(A)		30	30	20(POWER)/5(SIGNAL)	30	30	20(POWER)/5(SIGNAL)
CONTACT RESISTANCE(m )		4	5	10	4	5	10

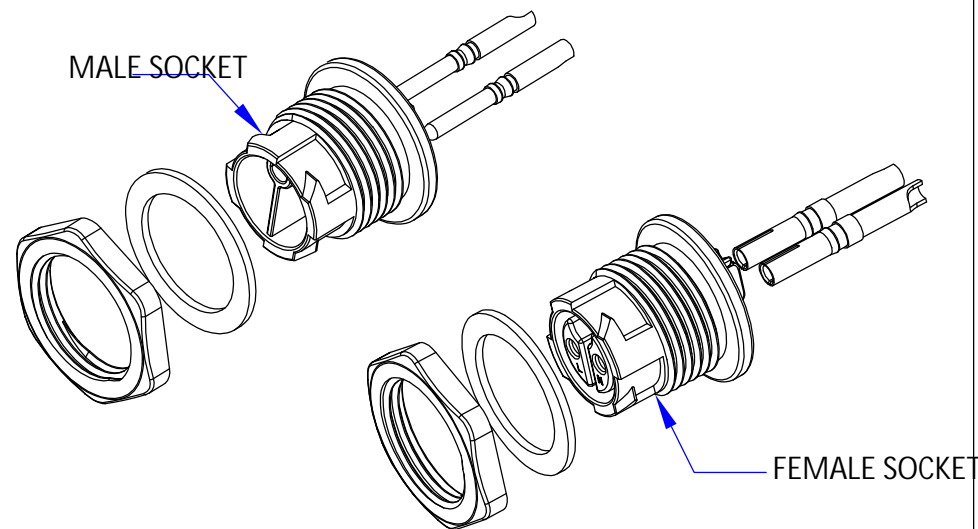
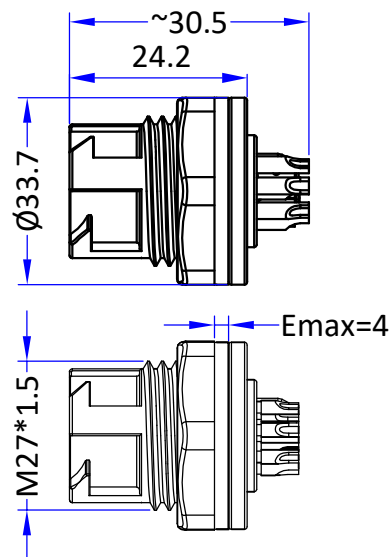
- HOUSING MATERIAL: NYLON
- CONTACT MATERIAL: BRASS PLATED GOLD
- MATING CYCLE: >500 TIMES
- IP LEVEL: IP65&IP67(GB/T4208)
- TEMPERATURE:-40°C~+125°C。

- CERTIFICATE: UL。
- FEATURE: QUICK PUSH-PULL
- COLOR: MALE PLUG-BLUE NUT, FEMALE PLUG-YELLOW NUT

2D REFERENCE SIZE : (mm)



PANEL SIZE



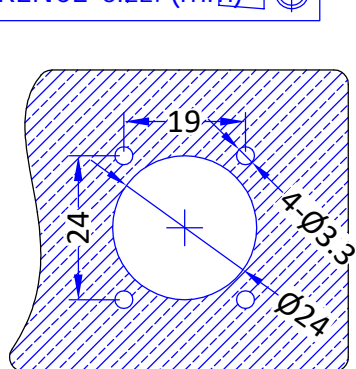
IMAGES

CORES/OD(mm)		2/3.0(PIN)	3/3.0(PIN)	3/2.4(PIN)9/1.0(HOLE)	2/3.0(HOLE)	3/3.0(HOLE)	3/2.4(HOLE)9/1.0(PIN)
CORES							
VOLTAGE (KV rms)	PINS -PINS	2.0	1.5	0.5(POWER)/0.2(SIGNAL)	2.0	1.5	0.5(POWER)/0.2(SIGNAL)
CURRENT(A)		30	30	20(POWER)/5(SIGNAL)	30	30	20(POWER)/5(SIGNAL)
CONTACT RESISTANCE(m )		4	5	10	4	5	10

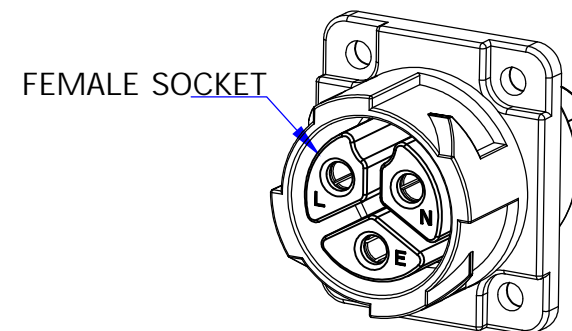
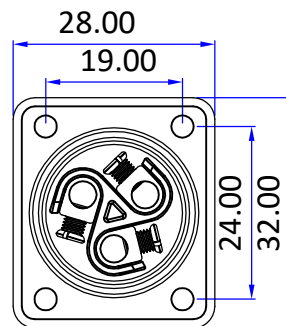
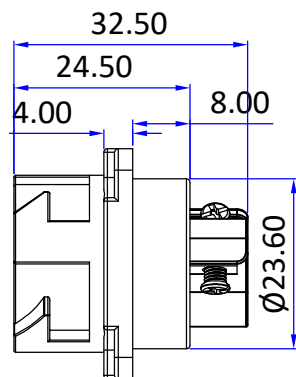
- HOUSING MATERIAL: NYLON
- CONTACT MATERIAL: BRASS PLATED GOLD
- MATING CYCLE: >500 TIMES
- IP LEVEL: IP65&IP67(GB/T4208)
- TEMPERATURE:-40°C~+125°C。

- CERTIFICATE: UL。
- FEATURE: QUICK PUSH-PULL
- COLOR: MALE PLUG-BLUE NUT, FEMALE PLUG-YELLOW NUT

2D REFERENCE SIZE: (mm)



PANEL SIZE



FEMALE SOCKET

IMAGES

CORES/OD(mm)		2/3.0(PIN)	3/3.0(PIN)	3/2.4(PIN)9/1.0(HOLE)	2/3.0(HOLE)	3/3.0(HOLE)	3/2.4(HOLE)9/1.0(PIN)
CORES							
VOLTAGE (KV rms)	PINS -PINS	2.0	1.5	0.5(POWER)/0.2(SIGNAL)	2.0	1.5	0.5(POWER)/0.2(SIGNAL)
CURRENT(A)		30	30	20(POWER)/5(SIGNAL)	30	30	20(POWER)/5(SIGNAL)
CONTACT RESISTANCE(m )		4	5	10	4	5	10

- HOUSING MATERIAL: NYLON
- CONTACT MATERIAL: BRASS PLATED GOLD
- MATING CYCLE: >500 TIMES
- IP LEVEL: IP65&IP67(GB/T4208)
- TEMPERATURE:-40°C~+125°C。

- CERTIFICATE: UL。
- FEATURE: QUICK PUSH-PULL
- COLOR: MALE PLUG-BLUE NUT, FEMALE PLUG-YELLOW NUT