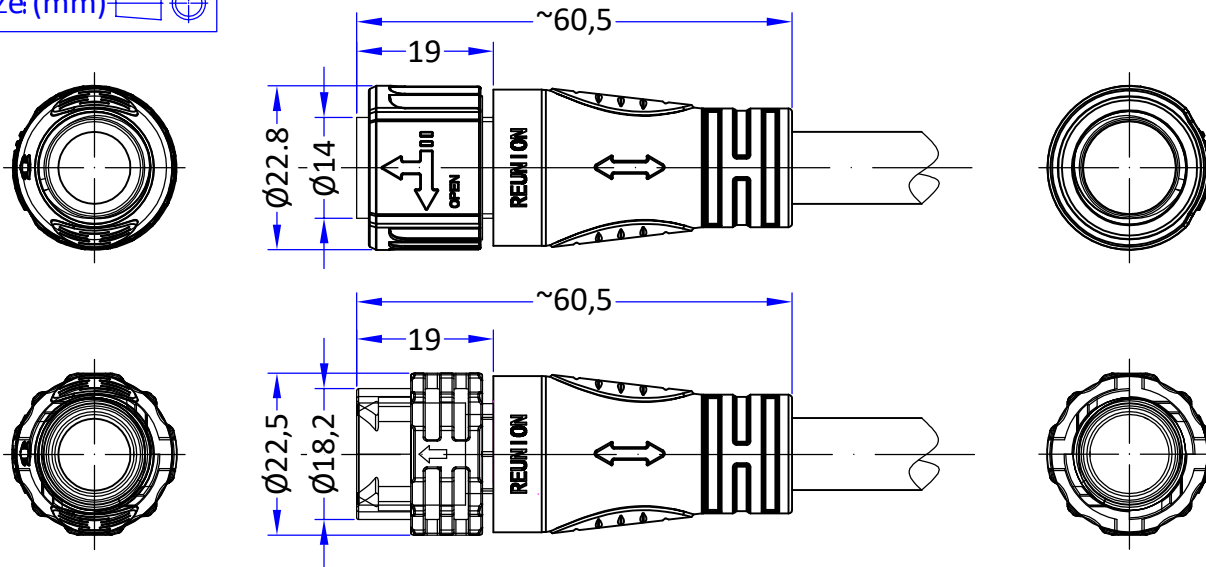


2D reference size (mm)



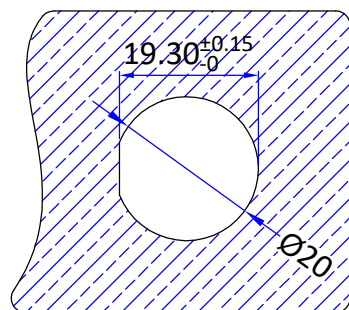
IMAGES

CORES/OD(mm)		2/2.4(PIN)	3/2.4(PIN)	4/2.0(PIN)	5/2.0(PIN)	9/1.0(PIN)	2/2.4(HOLE)	3/2.4(HOLE)	4/2.0(HOLE)	5/2.0(HOLE)	9/1.0(HOLE)
CORES											
VOLTAGE (KV rms)	PINS-PINS	1.5	1.5	1.5	1.0	0.5	1.5	1.5	1.5	1.0	0.5
	PINS-HOUSING	/	/	/	/	/	/	/	/	/	/
CURRENT(A)		20	20	15	15	10	20	20	15	15	10
CONTACT RESISTANCE(mΩ)		5	5	6	6	7.5	5	5	6	6	7.5

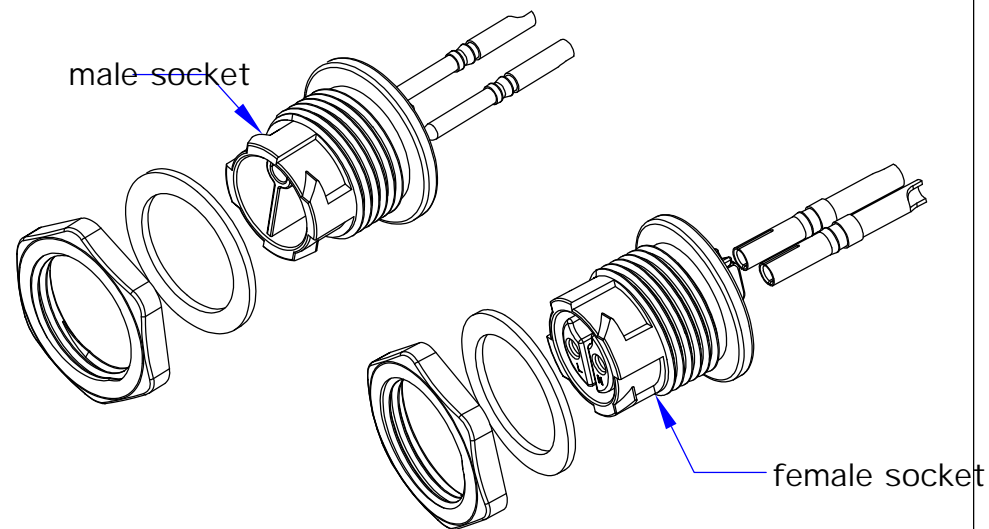
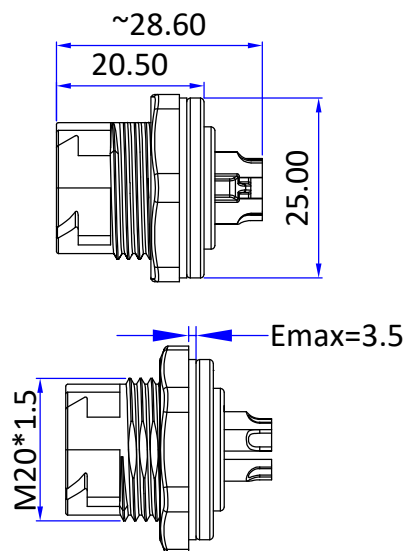
- HOUSING MATERIAL: NYLON
- CONTACT MATERIAL: BRASS PLATED
- GOLDMATING CYCLE: >500 TIMES
- IP LEVEL: IP65&IP67(GB/T4208)
- TEMPERATURE: -40°C~+125°C.

- CERTIFICATE: UL.
- FEATURE: QUICK PUSH-PULL
- COLOR: MALE PLUG-YELLOW NUT, FEMALE PLUG-BLUE NUT

2D reference size(mm)



Panel size



IMAGES

CORES/OD(mm)		2/2.4(PIN)	3/2.4(PIN)	4/2.0(PIN)	5/2.0(PIN)	9/1.0(PIN)	2/2.4(HOLE)	3/2.4(HOLE)	4/2.0(HOLE)	5/2.0(HOLE)	9/1.0(HOLE)
CORE											
VOLTAGE (KV rms)	PINS-PINS	1.5	1.5	1.5	1.0	0.5	1.5	1.5	1.5	1.0	0.5
	PINS-HOUSING	/	/	/	/	/	/	/	/	/	/
CURRENT(A)		20	20	15	15	10	20	20	15	15	10
CONTACT RESISTANCE(mΩ)		5	5	6	6	7.5	5	5	6	6	7.5

- HOUSING MATERIAL: NYLON
- CONTACT MATERIAL: BRASS PLATED
- GOLD MATING CYCLE: >500 TIMES
- IP LEVEL: IP65&IP67(GB/T4208)
- TEMPERATURE: -40°C~+125°C.

- CERTIFICATE : UL.
- FEATURE: QUICK PUSH-PULL
- COLOR: FEMALE SOCKET-YELLOW NUT, MALE SOCKET-BLUE NUT