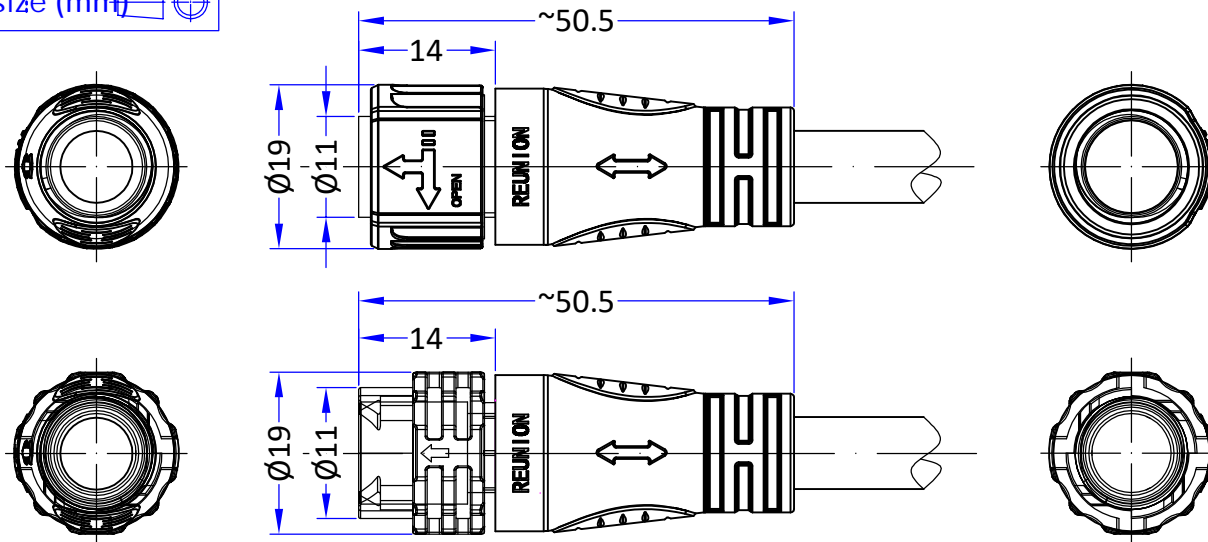


2D reference size (mm)

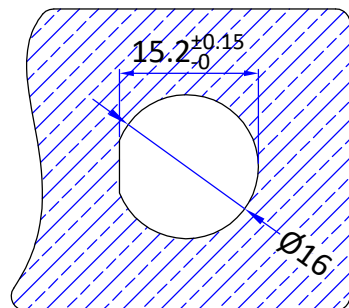


IMAGES

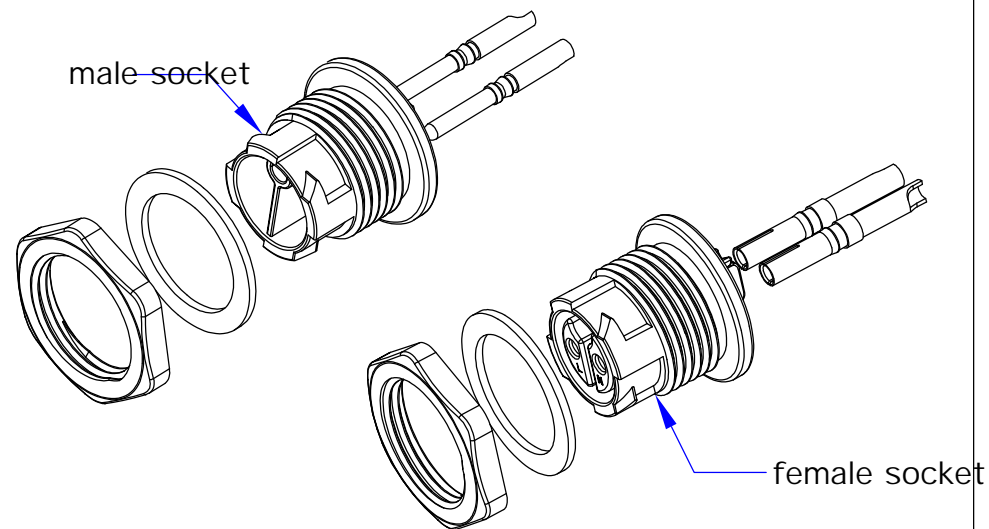
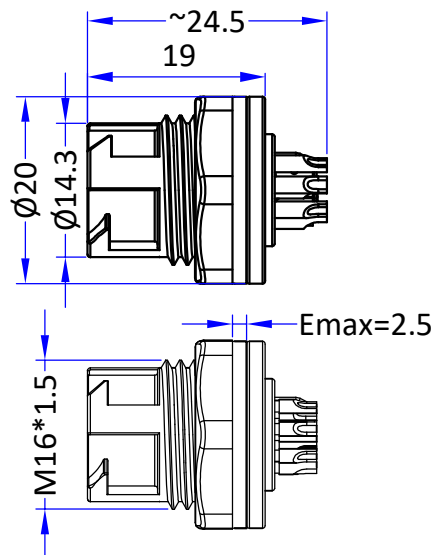
CORES/OD(mm)		2/1.5(PIN)	3/1.5(PIN)	8/1.0(PIN)	2/1.5(HOLES)	3/1.5(HOLES)	8/1.0(HOLES)
CORES							
VOLTAGE (KV rms)	PINS-PINS	0.8	0.5	0.3	0.8	0.5	0.3
CURRENT(A)		15	15	5	15	15	5
CONTACT RESISTANCE(mΩ)		5	6	9	5	6	9

- HOUSING MATERIAL: NYLON
- CONTACT MATERIAL: BRASS PLATED GOLD
- MATING CYCLE: >500 TIMES
- IP LEVEL: IP65&IP67 (GB/T4208)
- TEMPERATURE:-40°C~+125°C.
- CERTIFICATE: UL.
- FEATURE: QUICK PUSH-PULL
- COLOR: MALE PLUG-YELLOW NUT, FEMALE PLUG-BLUE NUT

2D reference size(mm)



Panel size



IMAGES

CORES/OD(mm)		2/1.5(PIN)	3/1.5(PIN)	8/1.0(PIN)	2/1.5(HOLE)	3/1.5(HOLE)	8/1.0(HOLE)
CORE							
VOLTAGE (KV rms)	PINS-PINS	0.8	0.5	0.3	0.8	0.5	0.3
CURRENT(A)		15	15	5	15	15	5
CONTACT RESISTANCE(mΩ)		5	6	9	5	6	9

- HOUSING MATERIAL: NYLON
- CONTACT MATERIAL: BRASS PLATED GOLD
- MATING CYCLE: >500 TIMES
- IP LEVEL: IP65&IP67 (GB/T4208)
- TEMPERATURE:-40°C~+125°C.

- CERTIFICATE: UL.
- FEATURE: QUICK PUSH-PULL
- COLOR: FEMALE SOCKET-YELLOW NUT, MALE SOCKET-BLUE NUT